

SC21CL

LBP Compressor

R404A/R507

220-240V 50Hz

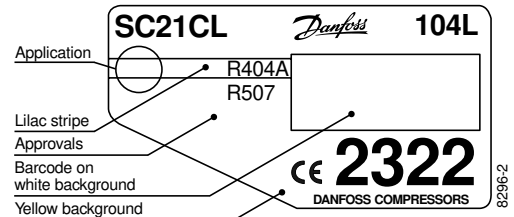
Data Sheet (Replaces CF.54.E1.02)

General

Compressor	SC21CL
Code number	104L2322

Application

Application		LBP
Evaporating temperature range	°C	-45 to -10
Voltage range	V/Hz	198 - 254 /50
Motor type		CSR
Max. ambient temperature	°C	38
Comp. cooling at ambient temp.	32°C	F ₂
	38°C	F ₂



- S = Static cooling normally sufficient
- O = Oil cooling
- F₁ = Fan cooling 1.5 m/s
(compressor compartment temperature equal to ambient temperature)
- F₂ = Fan cooling 3.0 m/s necessary

Design

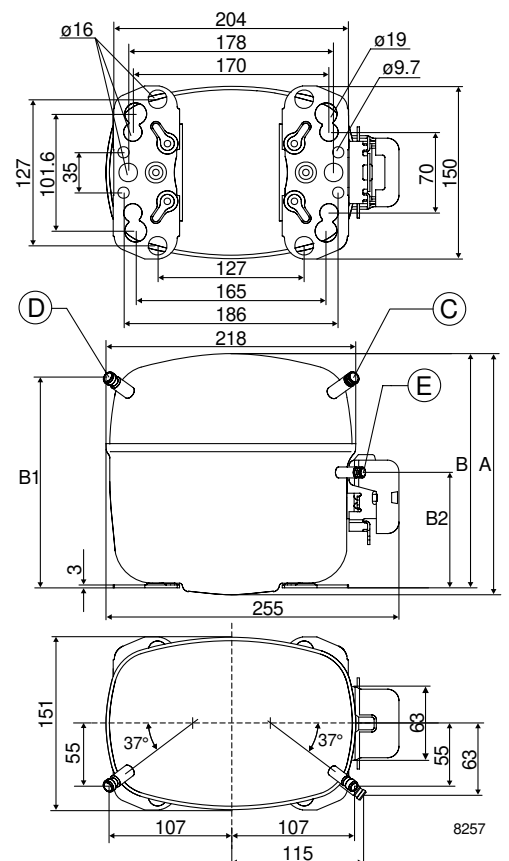
Displacement	cm ³	20.95
Oil quantity	cm ³	600
Maximum refrigerant charge	g	1300
Free gas vol. in compressor	cm ³	1460
Weight without electrical equipment	kg	14.0

Motor

Motor size	watt	590
LRA (rated after 4 sec. UL984) HST	A	23.4
Cut-in current HST	A	23.4
Resistance, main and start winding (25°C)	Ω	3.4/14.4
Approvals		EN 60335-2-34

Dimensions

Height	mm	A	219
		B	213
		B1	193
		B2	110
Suction connector	location/I.D. mm	C	10.2 ±0.09
Process connector	location/I.D. mm	D	6.2 ±0.09
Discharge connector	location/I.D. mm	E	6.2 ±0.09
Compressors on a pallet	pcs.		80



Capacity (EN 12900/CECOMAF)

watt

Comp. °C	-45	-40	-35	-30	-25	-23.3	-20	-15	-10
SC21CL	226	325	455	617	813	887	1042	1306	1606

Capacity (ASHRAE)

watt

Comp. °C	-45	-40	-35	-30	-25	-23.3	-20	-15	-10
SC21CL	263	378	529	719	947	1033	1215	1524	1876

Power consumption

watt

Comp. °C	-45	-40	-35	-30	-25	-23.3	-20	-15	-10
SC21CL	400	462	534	615	702	733	795	891	989

Current consumption

A

Comp. °C	-45	-40	-35	-30	-25	-23.3	-20	-15	-10
SC21CL	2.40	2.63	2.94	3.31	3.71	3.86	4.14	4.58	5.00

COP (EN 12900/CECOMAF)

W/W

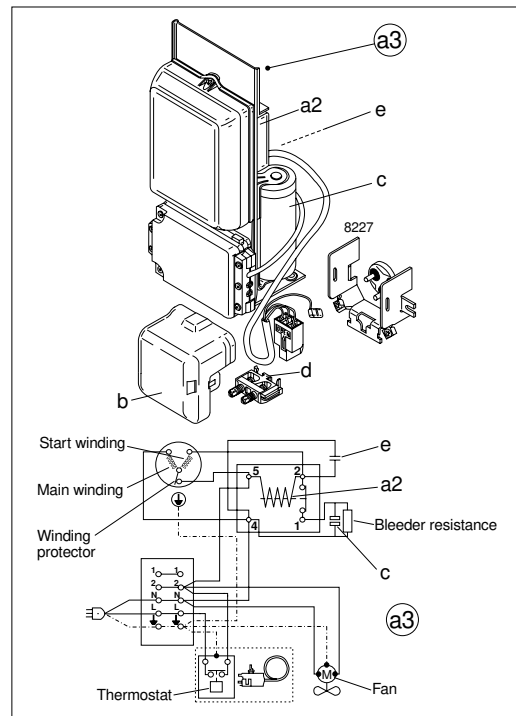
Comp. °C	-45	-40	-35	-30	-25	-23.3	-20	-15	-10
SC21CL	0.57	0.70	0.85	1.00	1.16	1.21	1.31	1.47	1.62

COP (ASHRAE)

W/W

Comp. °C	-45	-40	-35	-30	-25	-23.3	-20	-15	-10
SC21CL	0.66	0.82	0.99	1.17	1.35	1.41	1.53	1.71	1.90

Test conditions	EN 12900/CECOMAF	ASHRAE
Condensing temperature	45°C	45°C
Ambient and suction gas temp.	32°C	32°C
Liquid temperature	45°C	32°C
Fan cooling F ₂ , 220V 50Hz		



Accessories

Devices	Fig.	SC21CL
Starting device	a3	117-7012 (470 mm cable length) 117-7027 (550 mm cable length) 117-7040 (1000 mm cable length)
Cover	b	103N2009
Starting relay	a2	Components of starting device
Starting capacitor 80 µF	c	
Run capacitor	e	
Cord relief	d	103N1004
Mounting accessories		
Bolt joint for one compressor		118-1917
Bolt joint in quantities		118-1918
Snap-on in quantities		118-1919

Danfoss can accept no responsibility for possible errors in catalogues, brochures and other printed material. Danfoss reserves the right to alter its products without notice. This also applies to products already on order provided that such alterations can be made without subsequential changes being necessary in specifications already agreed. All trademarks in this material are property of the respective companies. Danfoss and the Danfoss logotype are trademarks of Danfoss A/S. All rights reserved.

